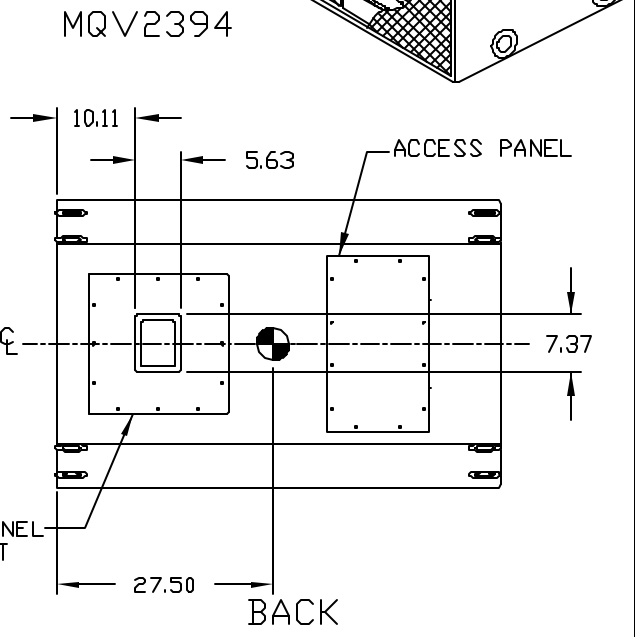
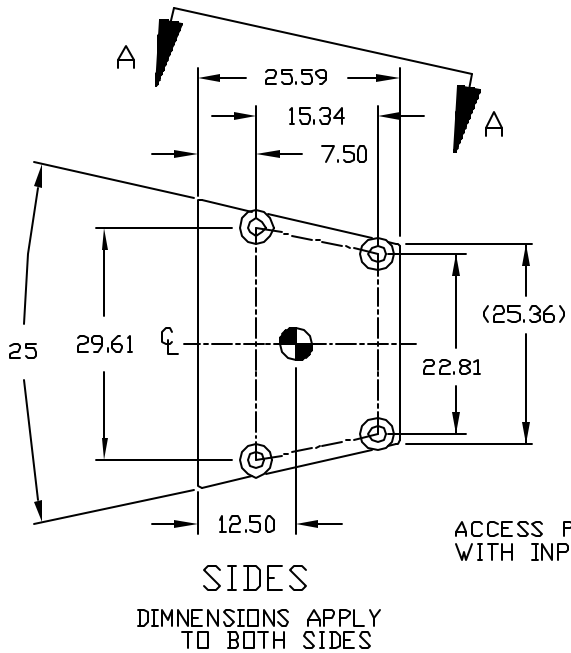
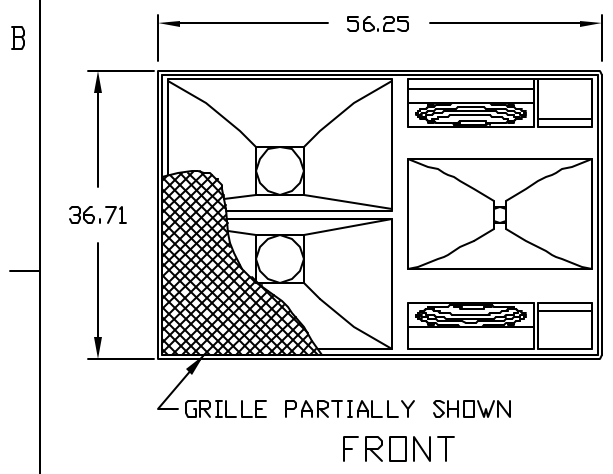
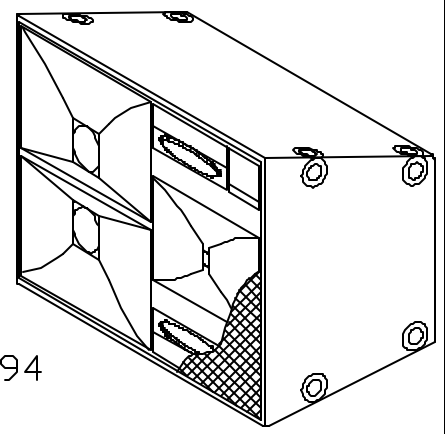
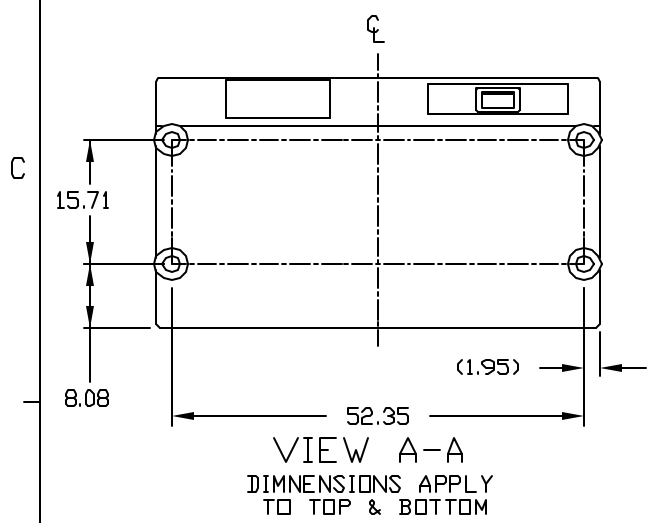


REV	DESCRIPTION	APVD/DATE
B	REVISED PER DSR 00-395 MFL 4/11/00	KFH 4/11/00

- NOTES:
1. SYMBOL \odot INDICATES MOUNTING POINT, 3/8-16 THREADED HOLE (PI ANGLE).
 2. SYMBOL \bullet INDICATES CENTER OF BALANCE.
 3. WEIGHT APPROX. 300 LBS.
 4. SHIPPING WEIGHT APPROX. 330 LBS.



DOCUMENT CONTROL PER SPECIFICATION 4.5.201

<p>THIRD ANGLE PROJECTION</p>	<p>UNLESS OTHERWISE SPECIFIED: ALL DIMENSIONS ARE IN INCHES TOLERANCE IN INCHES XX ± 13 ANGLES ±1</p> <p>(XXX) = REF DIMS NO TOLERANCE IMPLIED</p> <p>T.S.C.=THEORETICAL SHARP CORNER DIMENSIONS ACROSS CENTERLINES TO BE SYMMETRICAL</p>	STATUS: PILOT		<p>EAW EASTERN ACOUSTIC WORKS ONE MAIN STREET WATKINSVILLE, VA 22903 USA</p>	
		APPROVALS			DATE
		DRAWN: JRM	3/24/00		
		CHECKED:			
DES ENG:			<p>A SHEET 1 OF 1 SCALE: 1 TO 24</p>		
MFG ENG:					
DRAWING NUMBER: 509034			REVISION: B		